

TOUGHMATE

DITM0177 and DITM0178

Passive Infrared Light Instruction

General:

The security light incorporates a PIR (Passive Infrared Red) sensing device which continuously scans a preset operating zone and immediately switches the light on when it detects movement in that area.

This means that whenever movement is detected within the range of the sensor the light will switch on automatically to illuminate pathways ,steps, patios,porches,or whatever area you have selected to light for reasons of safety, convenience or security.

.Function:

- Can identify day and night automatically, the ambient-light can be adjusted ,so it works at night automatically and stops in the daytime.
- Time-delay can be adjusted varying with the place.

How to change into MANUAL CONTROL MODE:

1. When power on ,the PIR detector enters into the "WARN-UP" period for about 1 minute, then automatically changes into "AUTO MODE".
2. During AUTO MODE, by switching off the ON/OFF main switch for about 4 seconds then switch on, the PIR detector will automatically change into MANUAL MODE from AUTO MODE, In MANUAL MODE, the lights will remain ON, not affected by duration time and Lux control level.
3. During MANUAL MODE or AUTO MODE,by switching off the ON/OFF main switch for over 30 seconds and then on again, the PIR detector will reset to "WARN-UP" periods.

Specifications:

Detection range: 180°

Detection distance: 12m (<24°C)

Power source: 220 ~240V/AC

Time-delay: min: 5sec

Max 7min+-2min

Rated load: 120W Bulb included

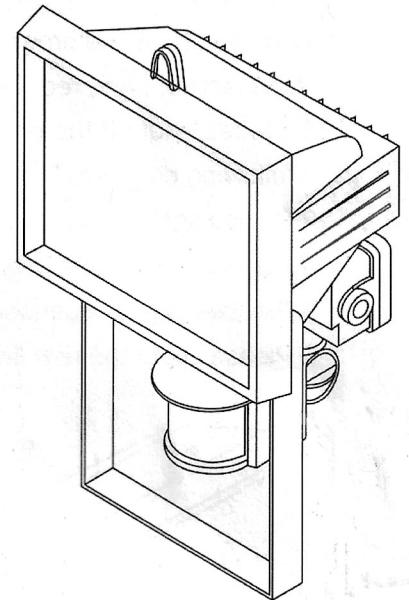
400W Bulb included

Working temperature:-10°C~+40°C

Working humidity:<93%RH

Ambient-light: <10Lux~2000Lux

Installation height: 2m~4.5m



Installation:

- I. Avoid installing it near sunshine zones or where air stream and temperature have obvious alteration, connect line according to the right fig.

N - blue

L - brown

Out-Red

Connect blue and brown with power

Connect blue and red with load

- II. 1 Please shut off the power before installation.

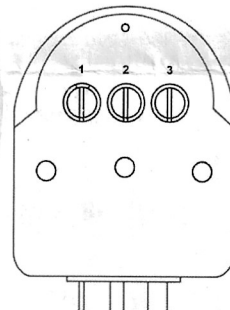
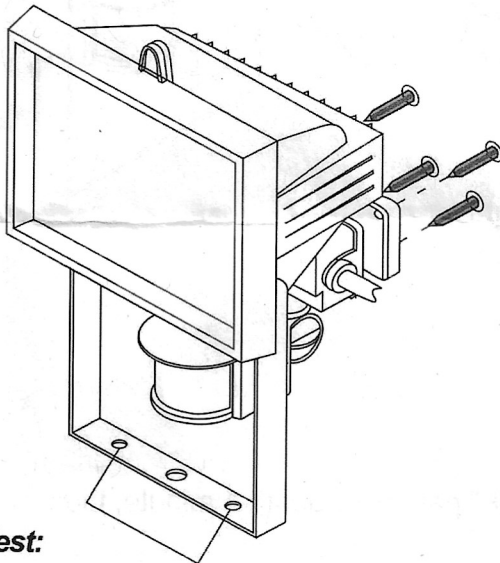
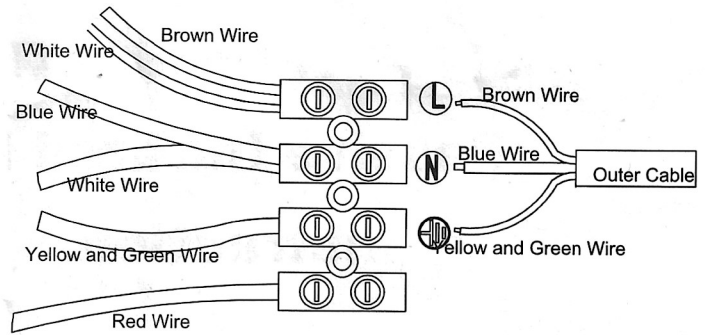
(See following diagram)

2. Please tighten off the screw on the rear lid of the junction box.

3 Please connect the power into sensor lamp according to the connection figure.

4 Please install the sensor lamp on the selected position according to installation diagram.

5. Please cover the rear lid and tighten the screw, Then you can test it after electrifying.



Test:

- 1) Sensitivity: Adjust the knob "1" clockwise to raise its sensitivity and anti-clockwise to reduce its sensitivity.
- 2) Adjust the knob "2" clockwise to last operating time and anti-clockwise to shorten it.
- 3) Light control: Adjust the knob "3" to select different working ambient-light. (See Fig)
- 4) Switch on the power, the lamp will turn on within 5s and go out within 5-30s; after 10s it will be on again.
- 5) Turn on the light control to night, cover the detection window with the opaque object, the lamp should be on, then go out after 5-10s.
- 6) If the function above-mentioned is normal, you can set the light-control, sensitivity and time-delay according to your demand, then electrify to use it.

Note:

Avoid install it where there is sunshine or air stream and temperature change obviously.

Avoid touching the lens device with sharp things and coarse pollutant.